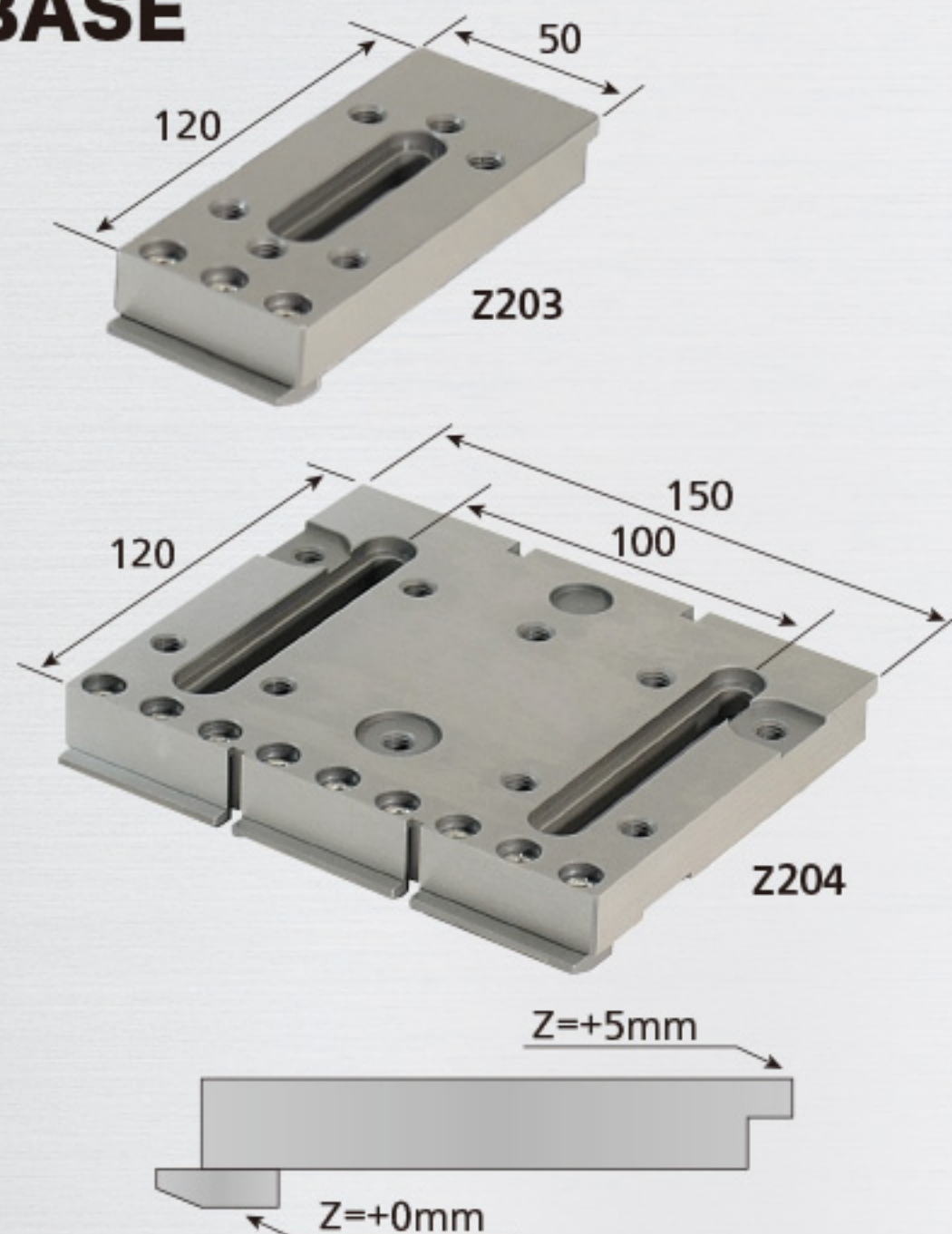


Jig System Tools

●ワイヤーカット用治具

JIG BASE



JIG BASE KIT

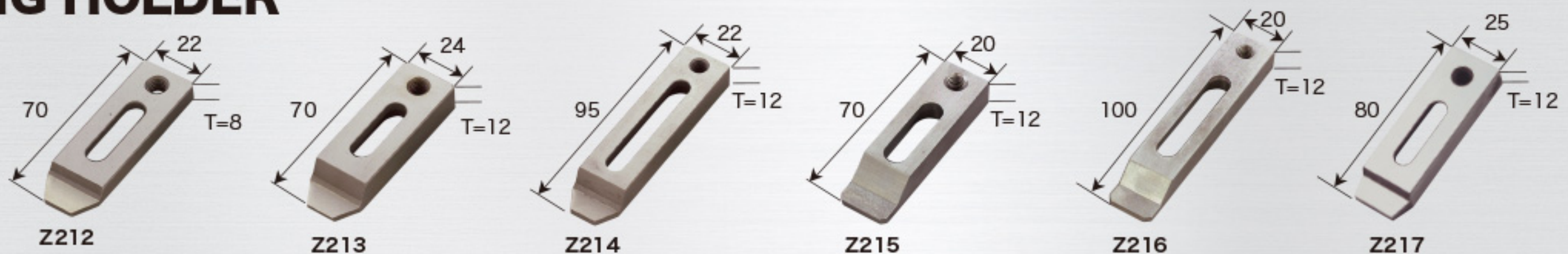
Z203x2pcs/Z204x2pcs



Z210

JIG を表裏反転させる事で、ワークや下部ノズル干渉を回避。

JIG HOLDER



※ Stainless bolts are not included.

EXTENSION JIG



Product Name	Model No.	Spec.		
WIRE CUT JIG BASE	Z203	SUS420 J2	120Lx50Wx15T	M8
	Z204	SUS420 J2	120Lx150Wx15T	M8
JIG BASE KIT	Z210	SUS420 J2	Z203x2pcs & Z204x2pcs Kit	
JIG HOLDER	Z212	SUS420 J2	70Lx22Wx8T	M8
	Z213	SUS420 J2	70Lx24Wx12T	M8
	Z214	SUS420 J2	95Lx22Wx12T	M8
	Z215	SUS304	70Lx20Wx12T	M8
	Z216	SUS304	100Lx20Wx12T	M8
	Z217	SUS420 J2	80Lx25Wx12T	M8
EXTENSION JIG	Z230L30	SUS303	L=30	M8
	Z230L40	SUS303	L=40	M8
	Z230L50	SUS303	L=50	M8
	Z230Lxx	SUS303	L= ~ 100	M8

※Z205は上記以外の特注品も製作可能ですのでご相談下さい。